

# JGAurora A5 - A5S - MGN12H - X Axis

## Materiales:

### -Linear Guide:

1 x MGN12H - 400mm

### -Screws/Tornillos:

2 x M2x8mm

4 x M3x5mm

2 x M3x8mm (BL-Touch version)

6 x M3x10mm

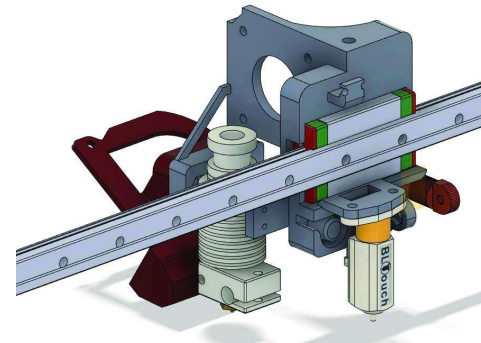
6 x M3x18mm

4 x M3x20mm

1 x M5x20mm

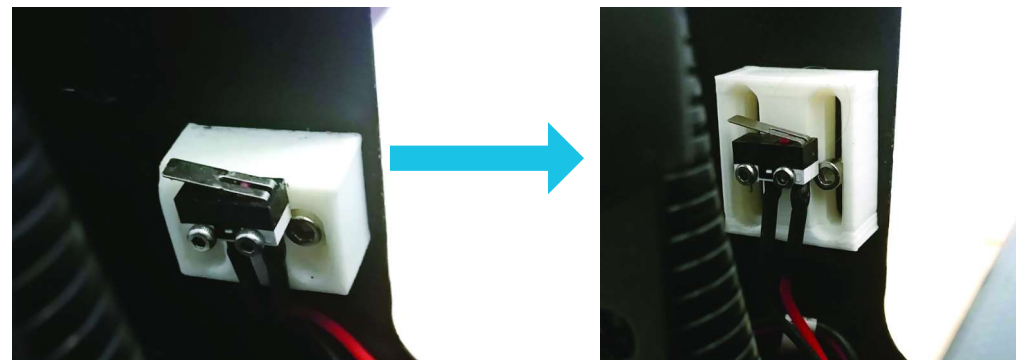
### - Nuts/Tuercas:

8 x M3 ( 10uds. BL-Touch version)

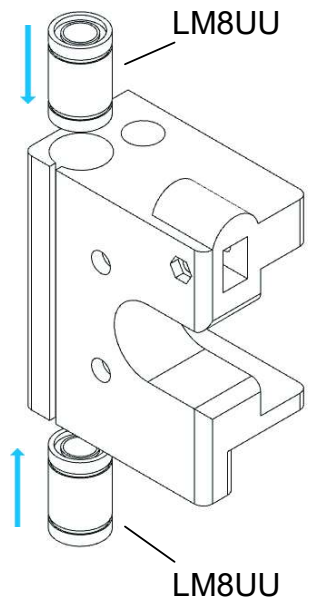


**1**

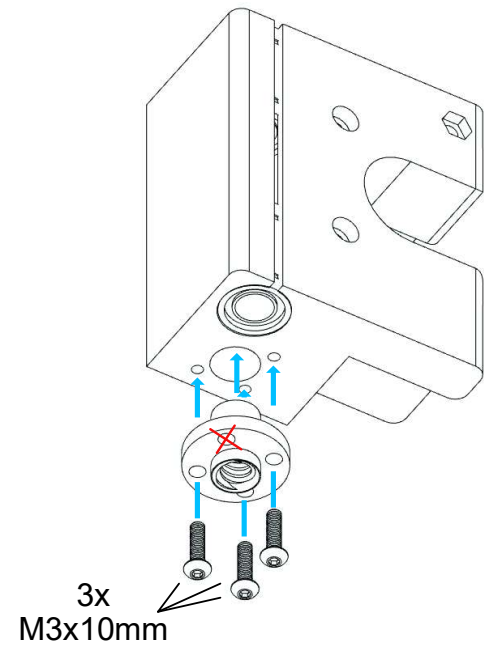
Change Z limited switch seat.



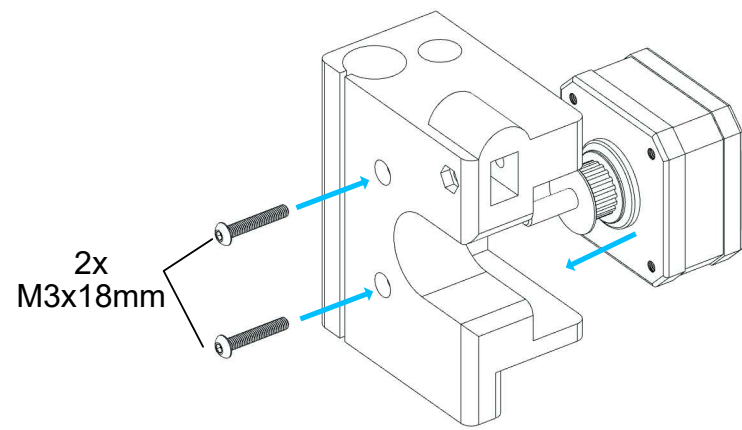
**2**



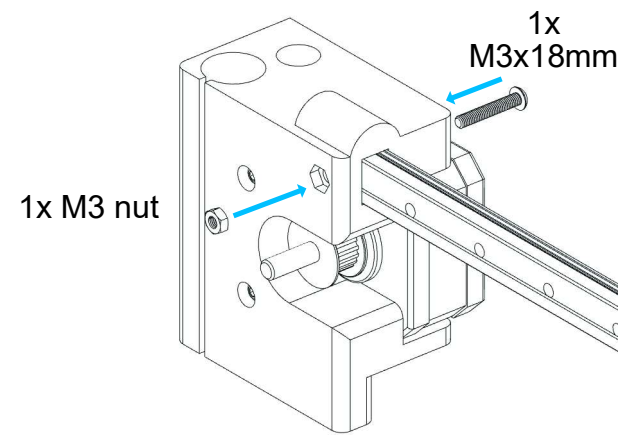
**3**



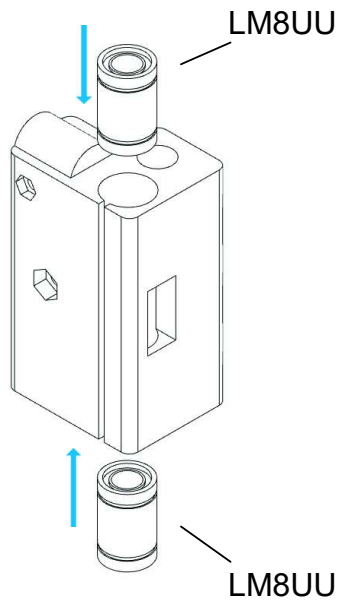
**4**



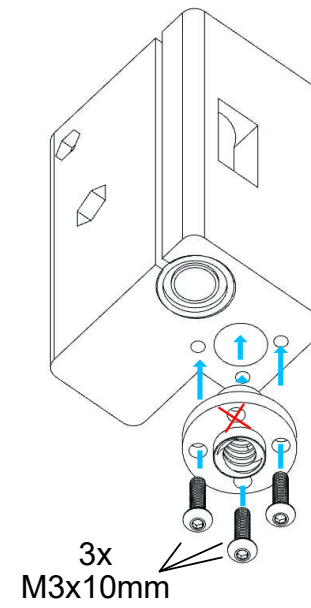
**5**



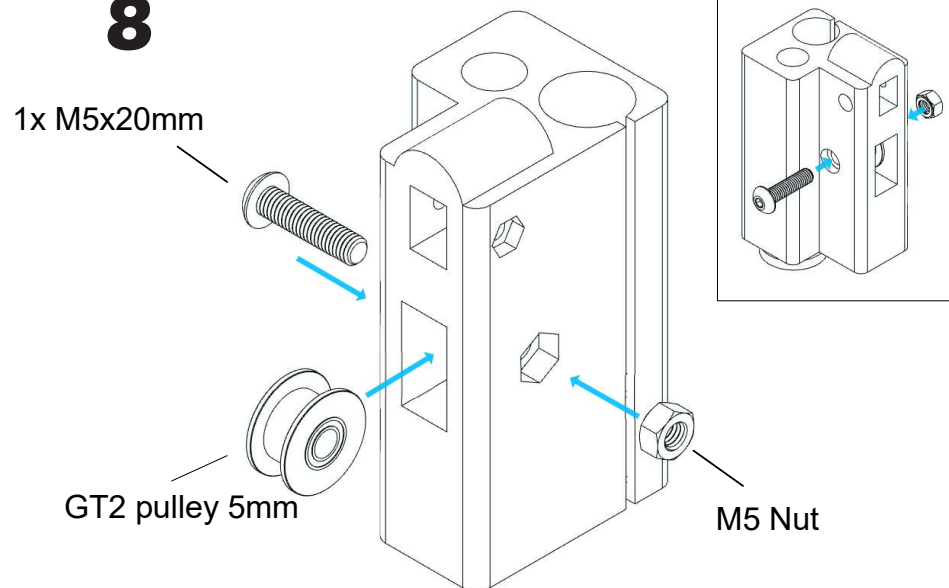
**6**



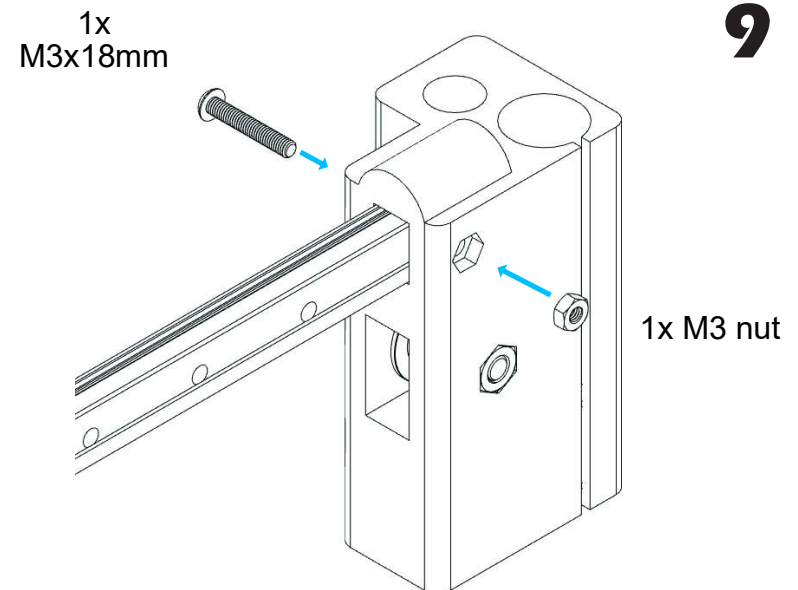
**7**



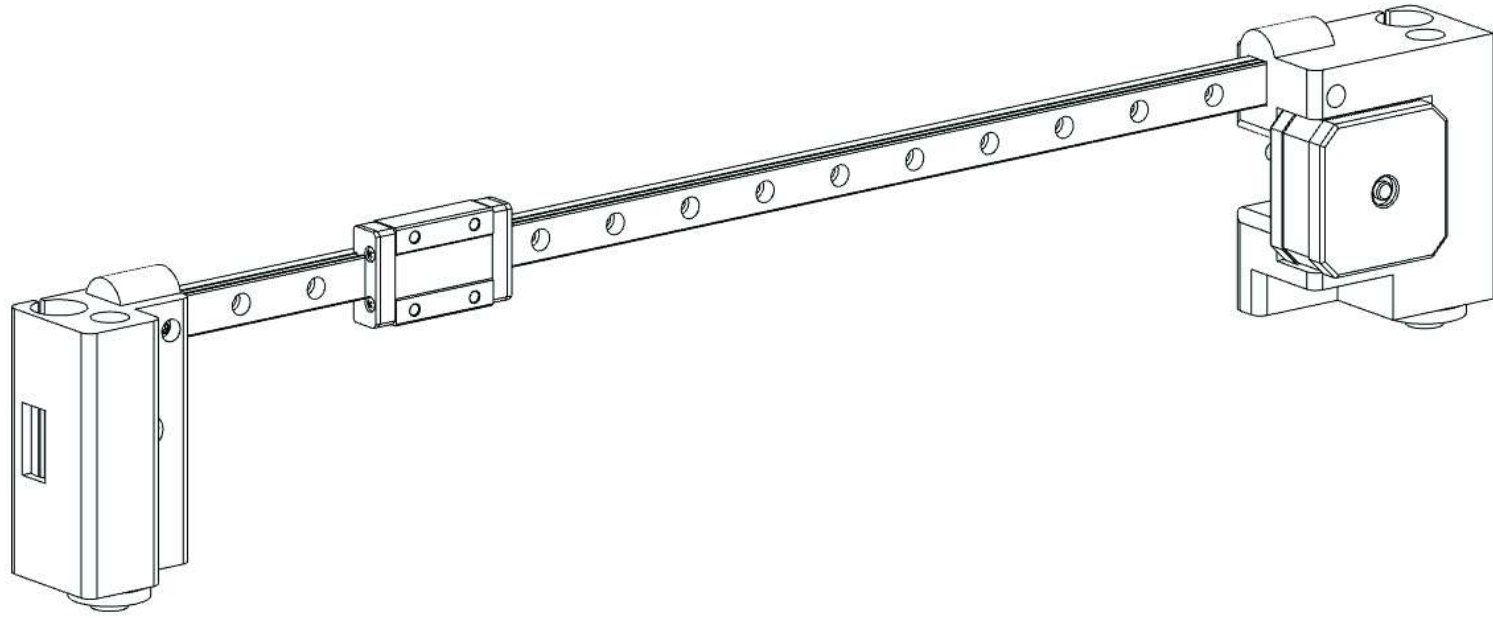
**8**



**9**

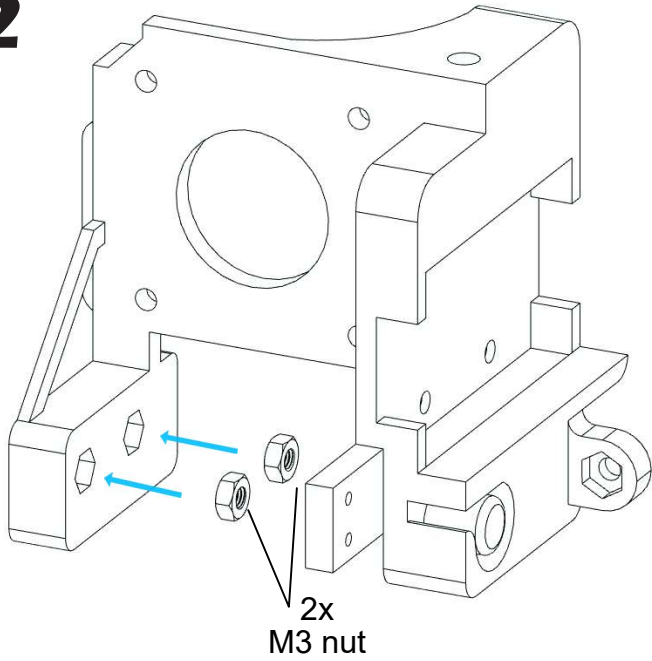


**10**

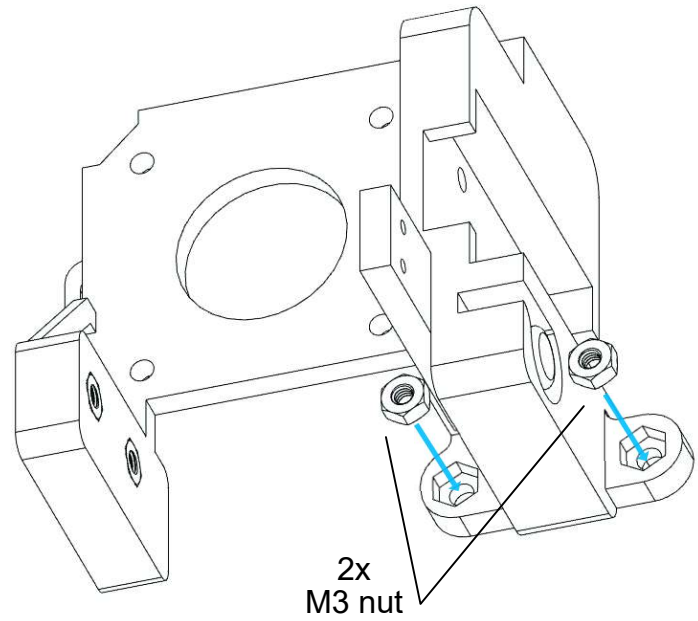


**11**

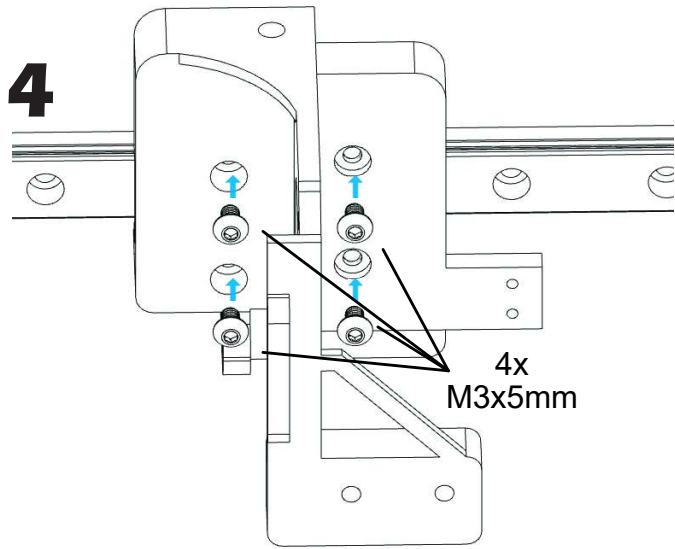
**12**



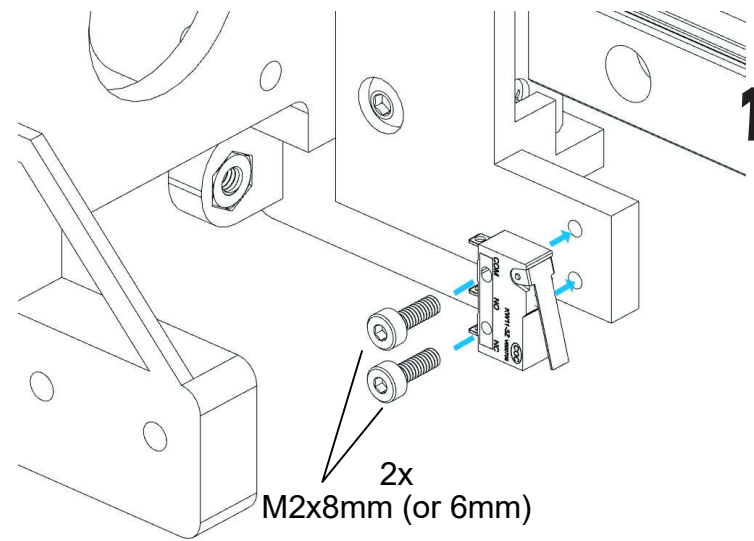
**13**



**14**

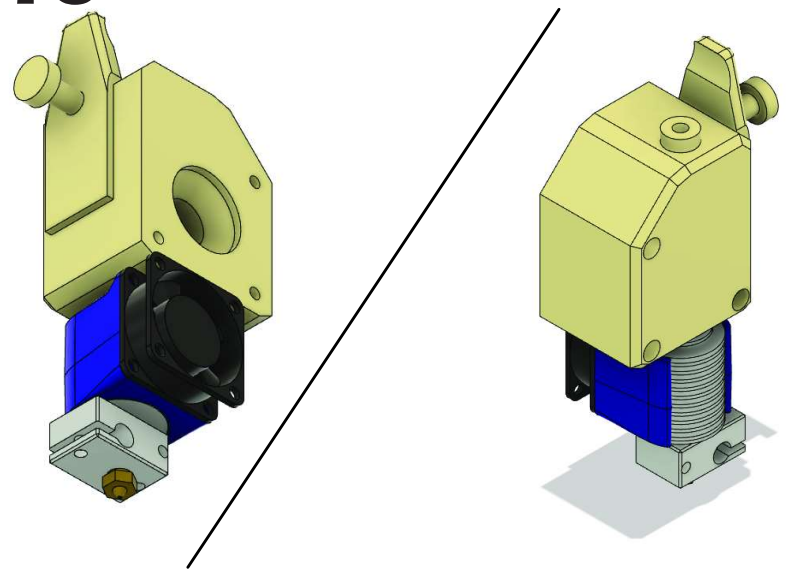


**15**

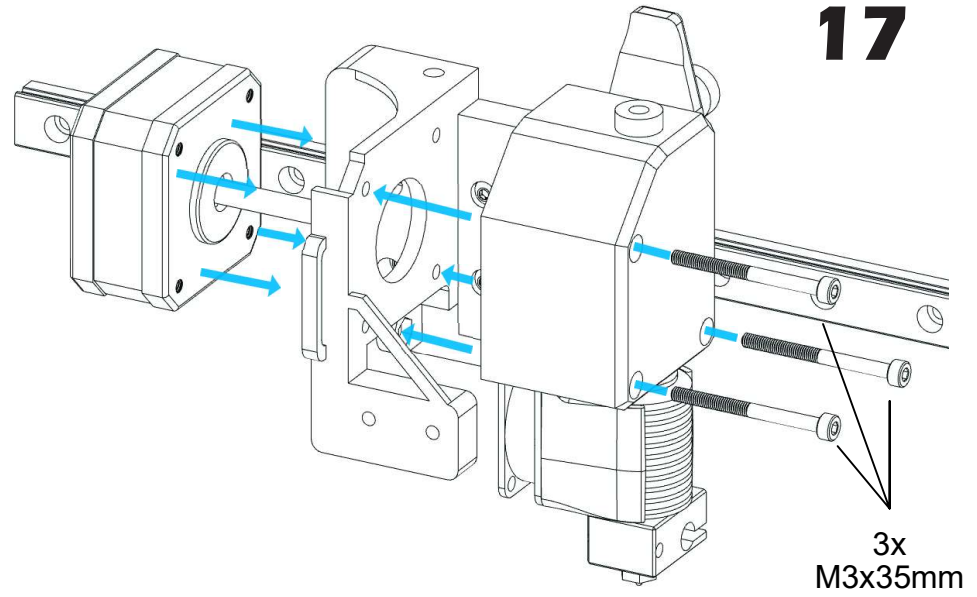


BMG Extruder + E3d V6 + Fan mount

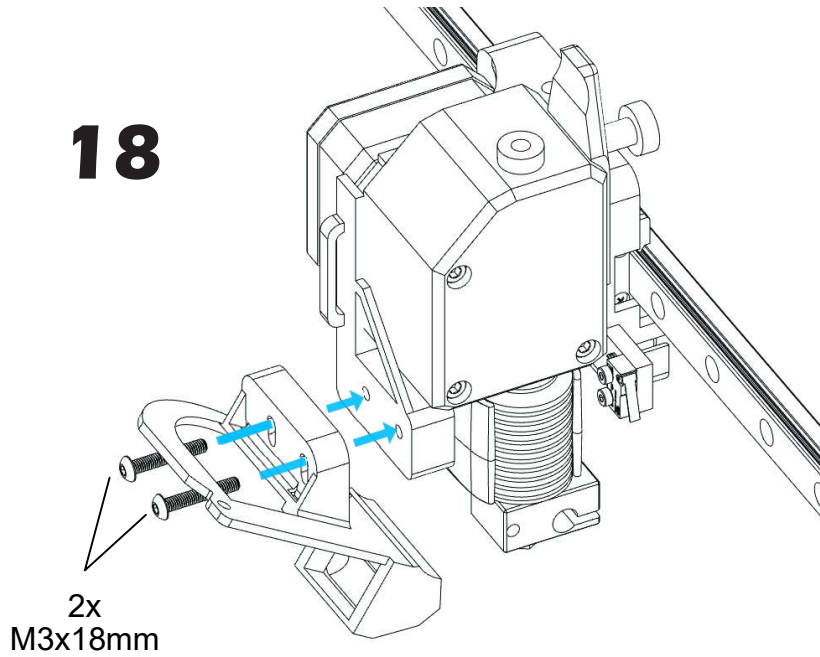
**16**



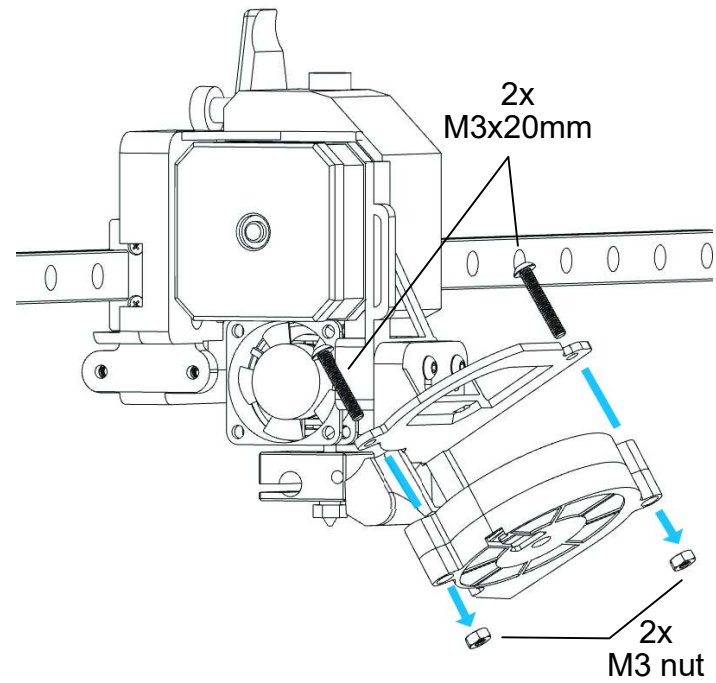
**17**



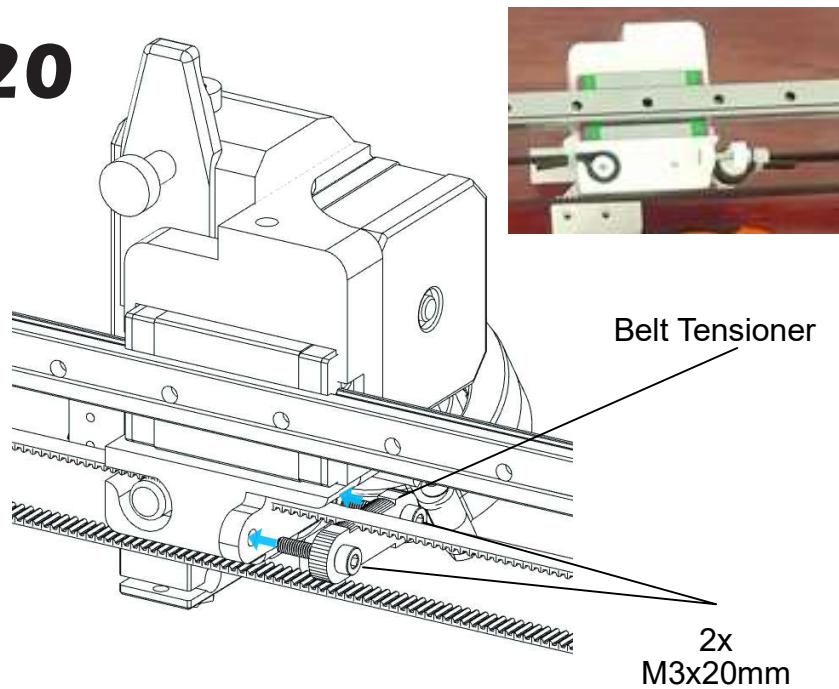
**18**



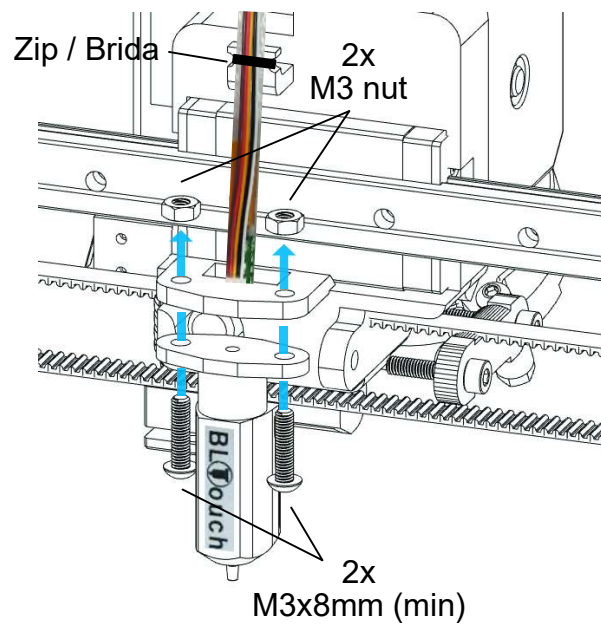
**19**



**20**



BL-Touch Version:



**21**

